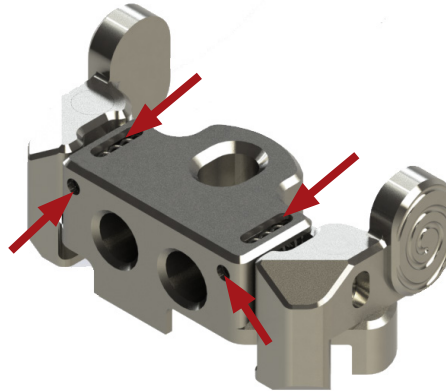


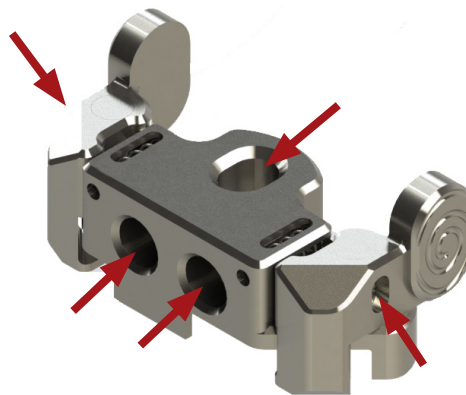
Sternal Closure System Shear Bar Plate Alignment Guide (P/N 201.033.01)

Note: This cleaning instruction is intended to augment JACE Medical CS.0001 Product Care, Cleaning, and Sterilization Instructions and is not intended as a replacement for the validated parameters contained therein.

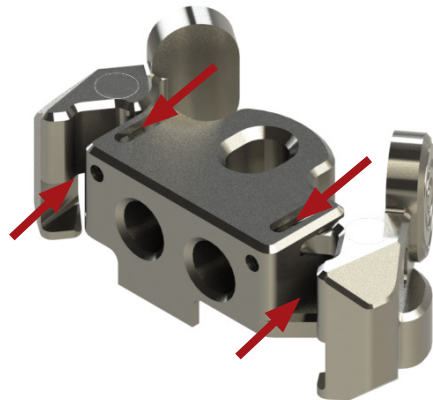
1 Flush Springs



2 Flush Lumens



3 Depress Buttons and Flush



4 Clean and Sterilize per JACE Medical CS.0001 Product Care, Cleaning, and Sterilization instructions.



MANUFACTURER:

JACE Medical
3516 Commerce Drive
Warsaw, IN 46580
USA
Ph 574-306-0355



Emergo Europe
Prinsessegracht 20
2514 AP The Hague
The Netherlands



0088
CS.5002
Rev B



JACE
MEDICAL