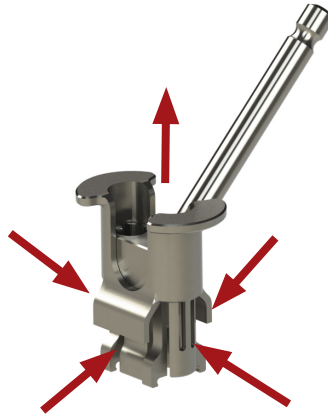


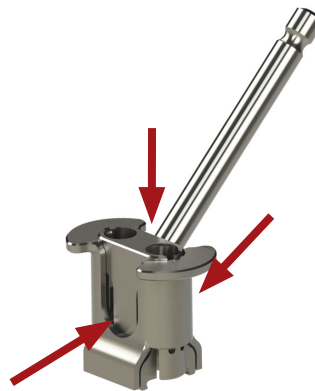
Low Profile Double Implant Positioner (P/N 215.010.12)

Note: This cleaning instruction is intended to augment JACE Medical CS.0001 Product Care, Cleaning, and Sterilization instructions and is not intended as a replacement for the validated parameters contained therein.

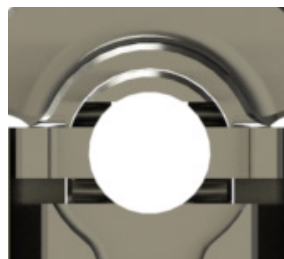
1 Lift Collar and Flush



2 Lower Collar and Flush



3 Flush All Bores



Detail View of Bores

4 Clean and Sterilize per JACE Medical CS.0001 Product Care, Cleaning, and Sterilization instructions.



MANUFACTURER:

JACE Medical
3516 Commerce Drive
Warsaw, IN 46580
USA
Ph 574-306-0355

CS.5006 Rev A